

# VISION FLAT ROD 2100 MM

2100 mm flat rod with preassembled control mechanism. Can be used for Vision Outside (Index Code 1-008.05) and Vision Inside (Index Code 1-008-13).

Possible to mount latch points every 100 mm.



## MATERIAL

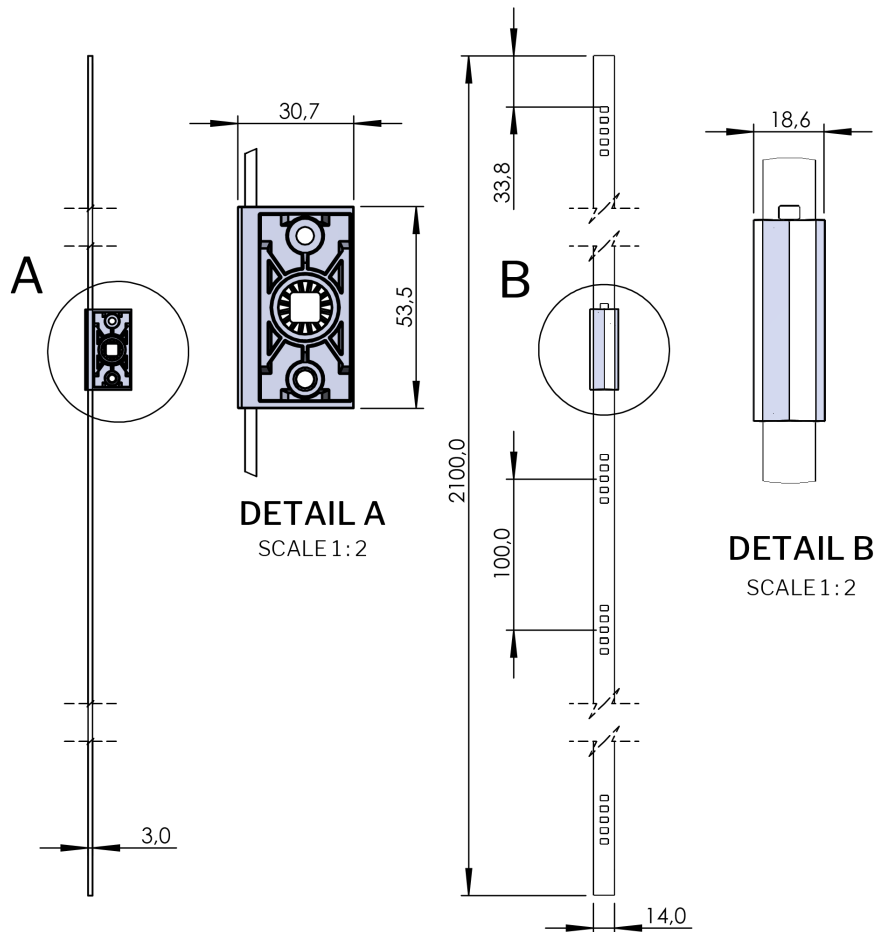
**Cremona:** Glass fibre reinforced polyamide (PA6GF30)

**Rod:** Aço inox 304

## RELATED PRODUCTS

**Rod latch systems:** 1-008.05, 1-008.13

Use the Index Code at [industrilas.com](http://industrilas.com)



P/N	Material rod	Material control mechanism
1301-000000-2000	Aço, zincado	Zamak, zincado
1301-010000-2000	Aço inox 316	Zinc die cast with surface treatment "Highlander"
1351-000000-2000	Aço, zincado	Glass fibre reinforced polyamide (PA6GF30)

**Industrilas**  
— When access counts —